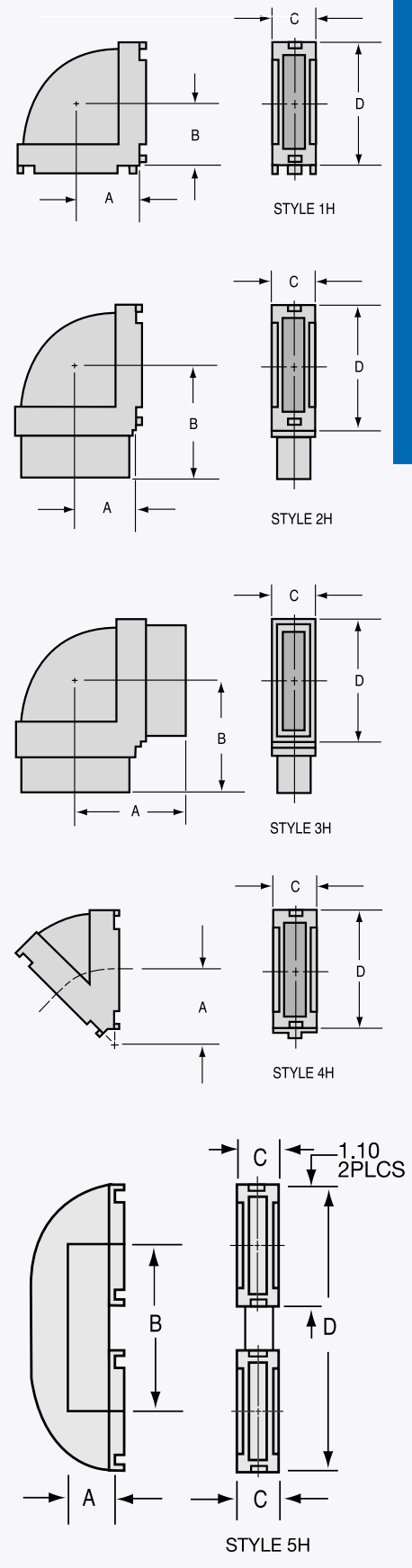


# Narrow Height Bends

W/G Size Freq GHz	Degree	Height ID	Style	Model Number	Dimensions				
					A	B	Ref C	Ref D	
WR-62 12.40 to 18.00 GHz	90°	.156	1E	A62BE11	.165	.165	.78	.44	
			1H	A62BH11	.368	.368	.32	.76	
	45°	.156	4E	A62BE41	.160	-	.78	.32	
			4H	A62BH41	.396	-	.32	.79	
	90°	.138	1E	B62BE12	.224	.224	.78	.28	
			2E	B62BE22	.224	.750	.78	.28	
			3E	B62BE32	.750	.750	.78	.28	
			1H	B62BH12	.450	.450	.30	.87	
			2H	B62BH22	.450	.670	.30	.87	
			3H	B62BH32	.670	.670	.30	.87	
4H			B62BH42	.450	-	.30	.78		
45°			.138	4H	B62BH42	.450	-	.30	.78
WR-75 10.00 to 15.00 GHz	90°	.200	1E	A75BE12	.225	.225	.93	.45	
			1H	A75BH12	.500	.500	.38	1.00	
			1E <sup>1</sup>	A75BE11	.225	.225	.87	.31	
			1H <sup>1</sup>	A75BH11	.500	.500	.31	.90	
			1E <sup>2</sup>	A75BE11	.225	.225	.87	.31	
WR-90 8.20 to 12.40 GHz	90°	.150	1E	C90BE12	.180	.180	1.14	.39	
			2E	C90BE22	.180	.630	1.14	.39	
			3E	C90BE32	.630	.630	1.14	.39	
			1H	C90BH32	.575	.575	.39	1.14	
			2H	C90BH42	.575	1.093	.39	1.14	
			.175	1E	C90BE42	.200	.200	1.10	.37
			1H	C90BH52	.575	.575	.37	1.10	
			.200	1E	A90BE11	.215	.215	1.10	.41
			1E	A90BE111	.180	.180	1.10	.41	
			1E <sup>2</sup>	A90BE41	.180	.180	1.02	.32	
	2E <sup>2</sup>	A90BE122	.180	.180	1.02	.29			
	2E	A90BE72	.215	1.270	1.10	.41			
	3E	A90BE62	1.270	1.270	1.10	.41			
	4E	A90BE32	.353	.353	1.10	.39			
	1H	A90BH11	.575	.575	.40	1.10			
	1H <sup>2</sup>	A90BH41	.575	.575	.32	1.02			
	2H <sup>2</sup>	A90BH82	.575	.825	.30	.99			
	2H	A90BH22	.575	.968	.40	1.10			
	3H	A90BH32	.968	.968	.40	1.10			
	45°	.150	4H	C90BH22	.750	-	.39	1.13	
5E <sup>2</sup>			A90BE112	.353	-	1.10	.39		
.200			5E	A90BE52	.353	-	1.10	.39	
4H <sup>2</sup>			A90BH52	.750	-	.40	1.10		
4H			A90BH92	.750	-	.40	1.10		
15°	.200	4H	A90BH42	.750	-	.40	1.10		
180°	.200	5H <sup>3</sup>	A90BH72	.575	1.543	.40	2.65		

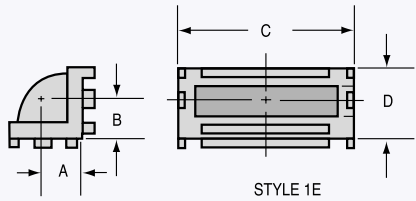
Notes: <sup>1</sup>W/G socket accepts .020 wall W/G  
<sup>2</sup>W/G socket accepts .030 wall W/G  
<sup>3</sup>W/G socket accepts .040 wall W/G

## NARROW HEIGHT BENDS

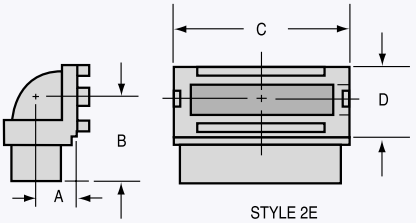


NARROW HEIGHT BENDS

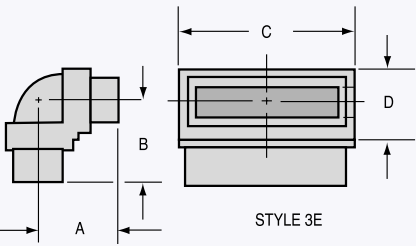
# Narrow Height Bends



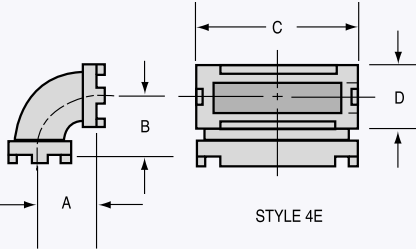
STYLE 1E



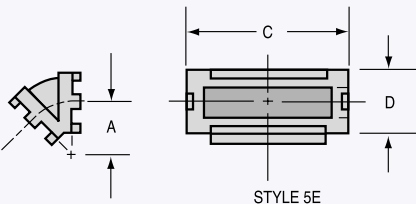
STYLE 2E



STYLE 3E



STYLE 4E



STYLE 5E

W/G Size Freq GHz	Degree	Height ID	Style	Model Number	Dimensions			
					A	B	Ref C	Ref D
<b>WR-102</b> 7.00 to 11.00 GHz	90°	.255	1E	A102BE102	.250	.250	1.26	.50
			1H	A102BH72	.640	.640	.50	1.26
<b>WR-137</b> 5.85 to 8.20 GHz	90°	.248	1E	A137BE12	.200	.200	1.60	.48
			2E	A137BE22	.200	.470	1.60	.48
<b>WR-159</b> 4.90 to 7.00 GHz	90°	.397	1E	A159BE12	.400	.400	1.82	.62
			1H	A159BH12	1.000	1.000	.62	1.82
<b>WR-284</b> 2.60 to 3.95 GHz	90°	.400	1E	A284BE22	.310	.310	3.13	.75
			2E	A284BE12	.310	.490	3.13	.75
			1H	A284BH22	1.531	1.531	.80	3.15
			1E	A284BE32	.460	.460	3.24	1.12
	45°	.670	2E	A284BE62	.460	2.160	3.22	1.08
			1H	A284BH11	1.530	1.530	1.07	3.25
			2H	A284BH21	1.530	1.860	1.07	3.25
			5E <sup>3</sup>	A284BE42	.927	-	3.00	.83
			5E	A284BE72	.927	-	.32	1.03
			4H	A284BH32	1.677	-	.83	3.00