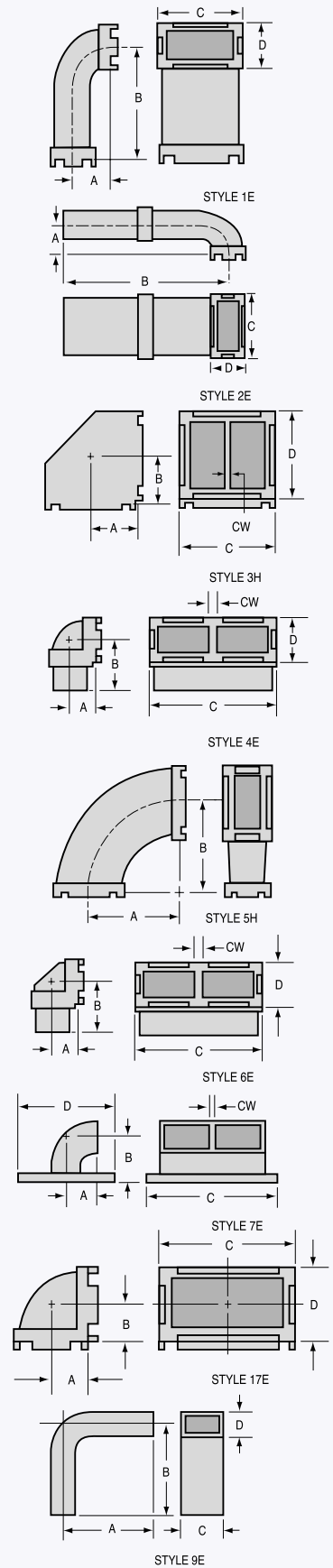


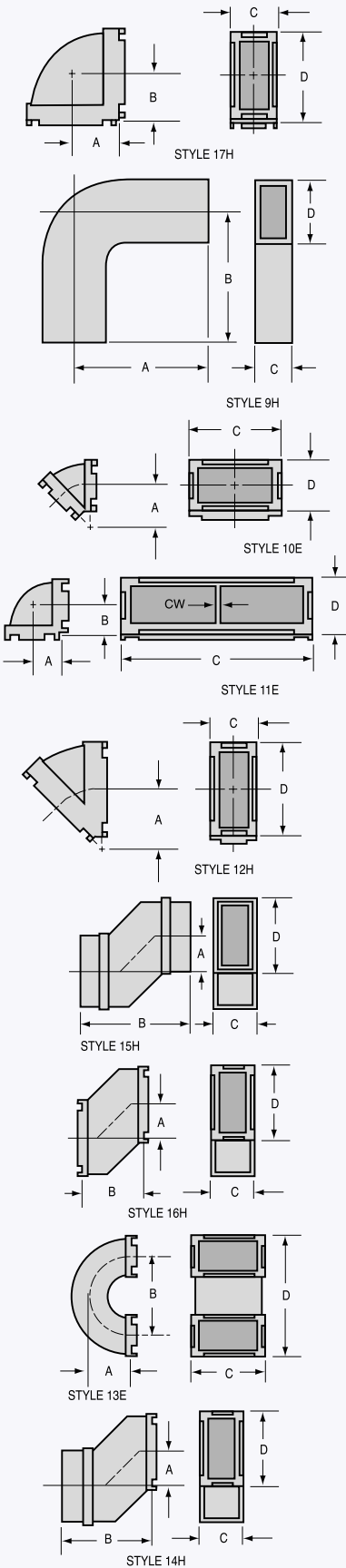
Special Bends

W/G Size Freq GHz	Angle	Style	Model Number	Dimensions				
				A	B	C	D	CW
WR-28 26.5 to 40.0 GHz	90°	1E	28BE52	0.312	0.530	.44	.30	-
		2E	28BE62	0.312	1.330	1.44	.30	-
WR-51 15.0 to 22.0 GHz	90°	4E	51BD12	0.316	0.540	1.28	.46	.080
		3H	51BG12	0.355	0.355	0.71	.67	.040
WR-51 to WR-62		5H	51BH32	1.000	1.000	-	-	-
WR-62 12.4 to 18.0 GHz	90°	6E	62BD12	0.210	0.590	1.54	.50	.090
		7E	62BD14	0.406	0.586	1.75	1.31	.040
		9E	62BE162	1.500	1.500	.70	.39	-
		9H	62BH152	1.500	1.500	.39	.70	-
WR-75 10.0 to 15.0 GHz	35°	10E	75BE42	.358	-	.95	.58	-
WR-90 8.2-12.4 GHz .200 WALL	90°	17E	90BE252	.475	.475	1.43	.93	-
		17H	90BH362	.725	.725	.93	1.43	-

SPECIAL BENDS



SPECIAL BENDS



Special Bends

W/G Size Freq GHz	Angle	Style	Model Number	Dimensions				
				A	B	C	D	CW
WR-90 8.2 to 12.4 GHz	90°	11E	90BD12	0.325	0.325	2.07	.62	.050
		11E	90BD22	0.325	0.325	2.14	.62	.120
		11E	90BD32	0.453	0.453	2.17	.75	.050
		9E	90BE242	2.125	2.125	1.00	.50	-
		9H	90BH352	2.125	2.125	.50	1.00	-
	70° 34'	5H*	90BH92	1.500	-	.63	1.13	-
	33° 30'	12H	90BH102	1.500	-	.63	1.13	-
	22°	12H	90BH112	1.500	-	.63	1.13	-
	180°	13E	90BE192	0.325	0.650	1.13	1.28	-
WR-112 7.05 to 10.0 GHz	90°	9E	112BE172	2.125	2.125	1.25	.62	-
		9H	112BH102	2.125	2.125	.62	1.25	-
	180°	13E	112BE112	0.900	1.625	1.47	2.47	1.05
WR-137 5.85 to 8.20 GHz		15H	137BP12	0.920	2.450	.86	1.61	-
		14H	137BP22	0.920	2.006	.86	1.61	-
		16H	137BP32	0.920	1.563	.86	1.61	-
WR-187 3.95 to 5.85 GHz		16H	187BP12	1.250	2.150	1.11	2.11	-
		14H	187BP22	1.250	2.545	1.11	2.11	-
		15H	187BP32	1.250	2.950	1.11	2.11	-
WR-284 2.60 to 3.95 GHz		15H	284BP12	1.250	4.190	1.62	3.12	-
		14H	284BP22	1.250	3.333	1.62	3.12	-
		16H	284BP32	1.250	2.475	1.62	3.12	-

Notes: * Same as style 5H except 70°