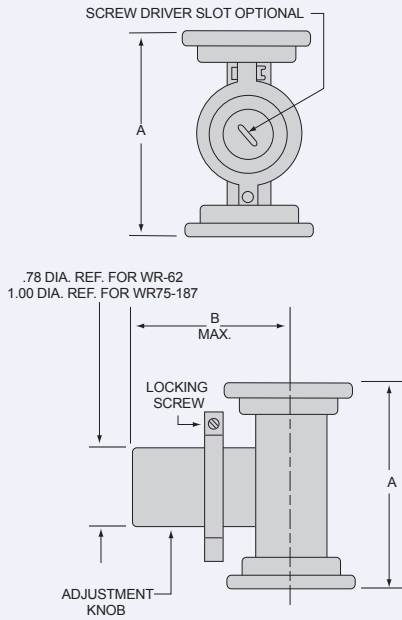


# Variable Attenuators

## Sidewall Variable Attenuators



W/G SIZE	FREQ. RANGE (GHz)	MDL MODEL NUMBER	DIMENSIONS (INCHES)		VSWR	INSERTION LOSS (dB)	ATTENUATION 20 dB (MIN.)
			A	B (MAX.)			
WR62	12.40-18.00	62AS56	2.00	1.62	1.15	.5	20
WR75	10.00-15.00	75AS26	2.25	2.12	1.15	.5	20
WR90	8.20-12.40	90AS66	2.50	2.25	1.15	.5	20
WR102	7.00-11.00	102AS26	3.00	2.31	1.15	.5	20
WR112	7.05-10.00	112AS36	3.50	2.37	1.15	.5	20
WR137	5.85-8.20	137AS26	4.00	2.62	1.15	.5	20
WR187	3.95-5.85	187AS26	5.00	3.18	1.15	.5	20

**Notes:**

1. Material: Aluminum alloy standard, copper alloy available on special request.
2. Finish: Aluminum models are chromated.
3. Flanges: Cover flanges are supplied as standard. Chokes available on special request.