

Fail - Safe Switches

4

W/G SIZE	FREQ. RANGE GHz	BASIC MODEL NO.	NO. OF PORTS ²		FLANGE TYPE ⁸		ISOL. MIN.	VSWR MAX.	INS. LOSS MAX.	RF CHARACTERISTICS ³ RF POWER MAX. KW	SWITCH TIME (ms) ⁴	OPER VOLT ⁵			MECH DIM
			3	4	COVER	CHOKE						28V DC	50V DC	110V AC	
WR28	26.50-36.00	28SR16	YES	YES	YES	S/O	50	1.10:1	0.10	22	100	STD	N/A	N/A	FIG. 1
WR42	18.00-26.50	42SR16	YES	YES	YES	S/O	50	1.10:1	0.10	43	100	STD	S/O	S/O	FIG. 2
WR62	12.40-18.00	62SR36	YES	YES	YES	YES	60	1.10:1	0.10	120	100	STD	S/O	S/O	FIG. 3
WR90	8.20-12.40	90SR36	YES	YES	YES	YES	60	1.10:1	0.15	200	100	STD	S/O	S/O	FIG. 4
	8.20-12.40	90SR56	YES	YES	YES	YES	60	1.10:1	0.10	200KW/13KW Av.	100	STD	S/O	S/O	FIG. 5
WR102	7.05-11.00	102SR26	YES	YES	YES	YES	60	1.10:1	0.10	275	100	STD	S/O	S/O	FIG. 5
WR112	7.05-10.00	112SR36	YES	YES	YES	YES	60	1.10:1	0.10	350	100	STD	S/O	S/O	FIG. 5
WR137	5.80-8.20	137SR16	YES	YES	YES	-	60	1.10:1	0.10	560	150	STD	S/O	S/O	FIG. 6
WR187	4.50-5.85	187SR16	YES	YES	YES	YES	60	1.10:1	0.10	1,400	250	STD	S/O	S/O	FIG. 7
WR284	2.60-3.95	284SR16	YES	YES	YES	YES	60	1.10:1	0.10	2,200	250	STD	S/O	S/O	FIG. 8

Double Ridged Waveguide Switch

WRD180	18.00-39.00	D180SR16	YES	YES	YES	-	40	1.6:1	0.70	5.8	100	STD	S/O	S/O	FIG. 9
--------	-------------	----------	-----	-----	-----	---	----	-------	------	-----	-----	-----	-----	-----	--------

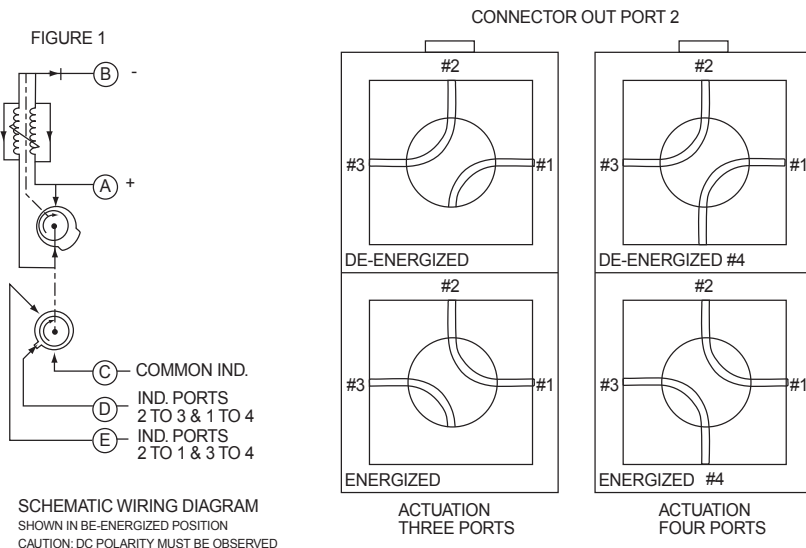
KEY: S/O = Special order
 N/A = Not available
 STD = Standard
 YES = Available as a standard option

All switches have a normal life of 100,000 cycles, but long life up to 500,000 cycles is available on special order.

- 1 In fail-safe version the rotor returns to the initial position when current is removed. Holding current is required to keep the rotor in energized position.
- 2 Three port switch is SPDT. Four port switch is DPDT. (Transfer).
- 3 All switches can be pressurized to 45 PSI. the power shown is without pressurization. Typically 1.0 cu cm/min. leak rate.

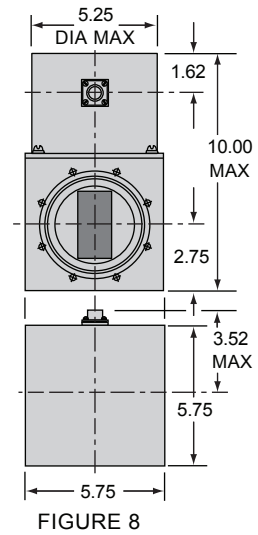
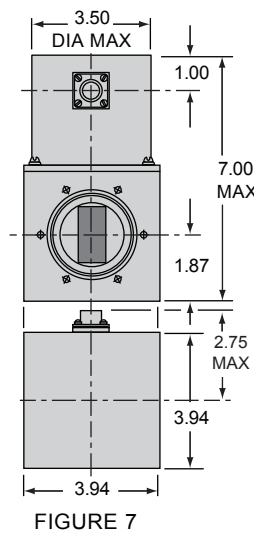
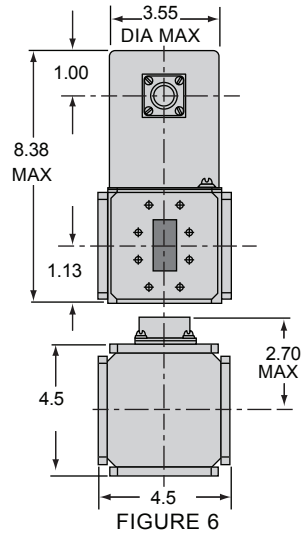
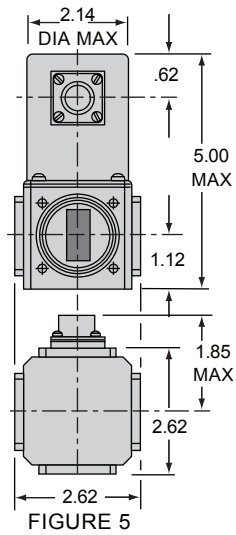
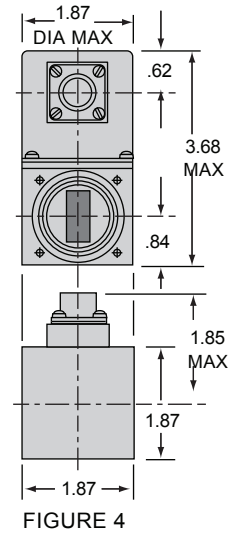
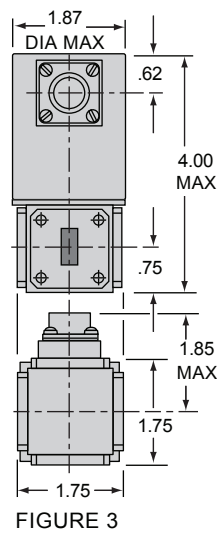
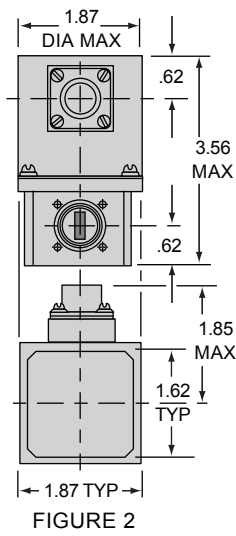
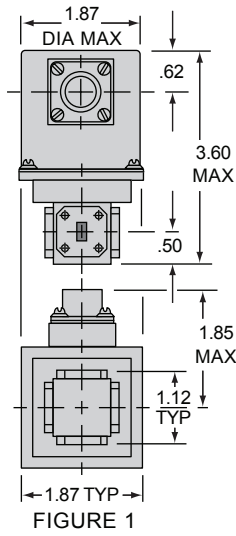
- 4 Defined as the time from application of the switching current until specified RF performance is reached in the 90° position.
- 5 Current required for fail-safe type is 1.2 at 25°C for actuation and 0.5A at 25°C for hold WR137 thru WR284 2.0A. actuating. All AC drive circuits have diode limiters unless otherwise specified.
- 6 See figure 1 on next page for indicating circuit. All DC connectors are Bendix PT02H-10-6P, unless otherwise specified.
- 7 All switches are of aluminum construction with a chromate finish. Unless otherwise specified all switches are painted with a semi-gloss blue paint per FED-STD-595.
- 8 Flanges conform to MIL-F-3922.
- 9 Isolation greater than specified on special order.

Indicating Circuits



SWITCHING SEQUENCE AS SHOWN FROM TOP

Fail - Safe Switches



Double Ridge Switches

